



moving forward in every field

TRACTOR ATTACHMENTS

▶ **ATTACHMENTS AND FRONT WEIGHTS**

Quick Reference Guide

ABOUT BEPCO

Bepco Group is a worldwide leading supplier of parts and accessories for agricultural tractors and machinery.

With over 360 employees Bepco Group has subsidiaries in Belgium, Netherlands, France, Germany, Spain and UK and is also present in Australia, New Zealand, South Africa and Brazil.

Bepco Group is a truly global company with customers in over 100 countries worldwide and sales outside Europe contributing to over a third of revenues.

We offer our network of distributors and dealers :

- ▶▶ Original Equipment Supplier and other industry leading brands
- ▶▶ More than 20,000 m² of warehousing
- ▶▶ More than 80,000 stock items
- ▶▶ Technological knowledge from industry experts
- ▶▶ Same day shipment, next day delivery in many markets

Bepco Group is also a member of TVH, the all-round supplier of quality parts and accessories for material handling, industrial vehicles and agricultural equipment.



Tractor & Telehandler Attachments

4-9

- Yard Scraper 4
- Snow Plough 5
- Bale Carrier 6
- Bale Clamps 8
- Pallet Fork 9

Fork-mounted Attachments

10-11

- Roll forward skips 10-11
- Bottom emptying skips 11

Tractor Generators

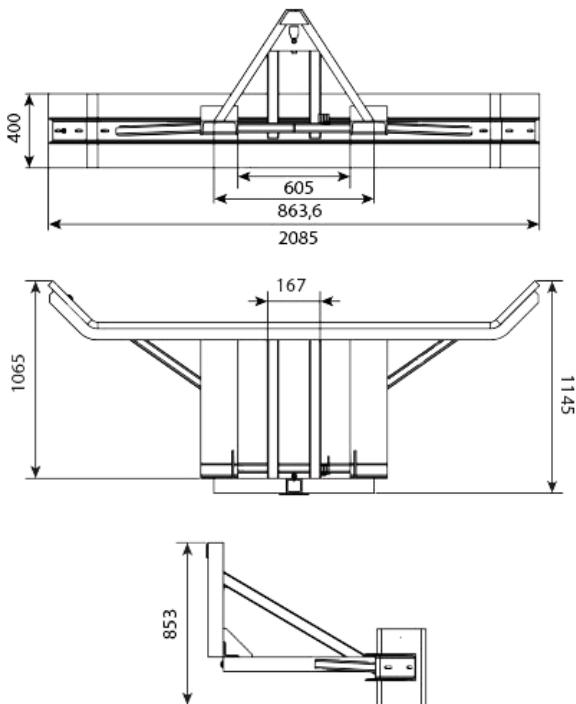
12

Tractor Front Weights

13-16



YARD SCRAPER



TECHNICAL DETAILS

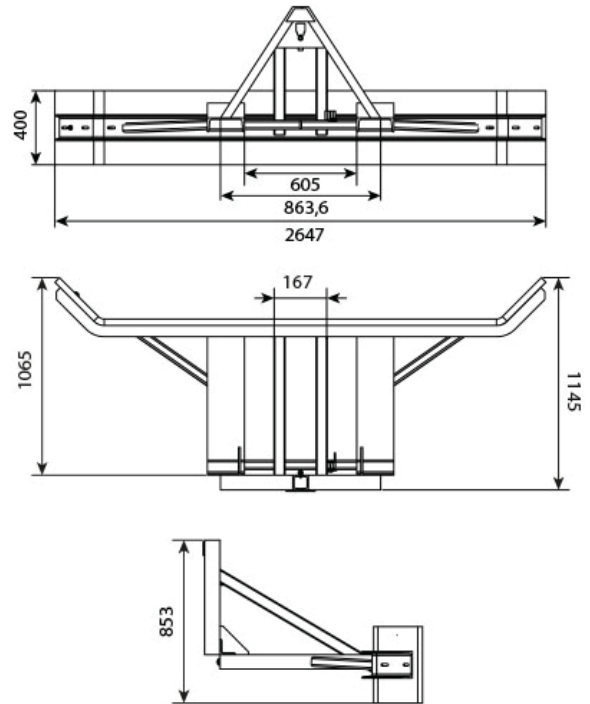
- Yard Scraper for Tractors and Forklifts
- Easily mounted and ready for use
- 2100 x 400 mm

Ref. B49923

> **Replacement Rubber**

- Available as a spare part
- Made from new rubber - not recycled
- Rubber flap is reversible for longer life

Ref. B69227



TECHNICAL DETAILS

- Yard Scraper for Tractors and Forklifts
- Easily mounted and ready for use
- 2600 x 400 mm

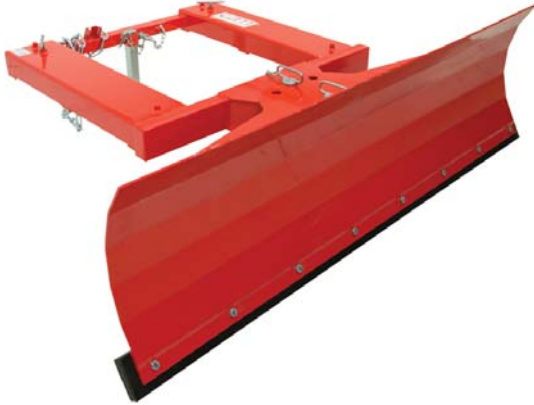
Ref. B49924

> **Replacement Rubber**

- Available as a spare part
- Made from new rubber - not recycled
- Rubber flap is reversible for longer life

Ref. B60897

SNOW PLOUGH



TECHNICAL DETAILS

- Fork-mounted plough, possibility to sweep snow left or right inclined 30°
- A rubber wear strip is fitted along the bottom of the blade
- Secured onto the fork carriage with chain
- Blade width: 1800 mm
- Blade height: 500 mm
- Min fork spread between forks : 620 mm
- Max fork section: 190 x 70 mm

Ref. 68/8175-2

> Replacement Rubber Strip

- Available as a spare part
- Made from new rubber - not recycled
- Rubber Strip is reversible for longer life

Ref. B69229



TECHNICAL DETAILS

- With triangle tractor/forklift
- 1800 x 600 mm
- Adjustment left, right, center
- Scoop width: 1800 mm
- Scoop height: 600 mm
- Chassis dimensions: 190 x 70 mm
- Supplied with coupling triangle

Ref. B52658

> Replacement Rubber Strip

- Available as a spare part
- Made from new rubber - not recycled
- Rubber Strip is reversible for longer life

Ref. B69229



TECHNICAL DETAILS

- Snowplough with spring loaded blade for Tractors and Forklifts
- 2600 x 730 mm
- Adjustment left, right, center
- Scoop width: 2600 mm
- Scoop height: 730 mm
- Chassis dimensions: 865 x 70 mm
- Supplied with linkage triangle

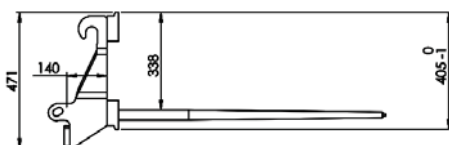
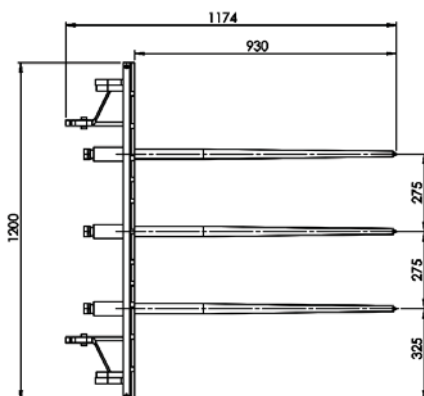
Ref. B44072

> Replacement Blades (White)

- Blades available as spare parts
- Delivers longer product life

Ref. B69234

BALE CARRIER



TECHNICAL DETAILS

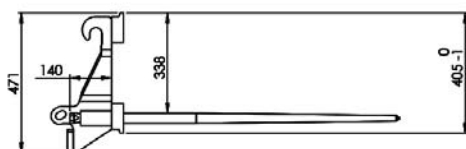
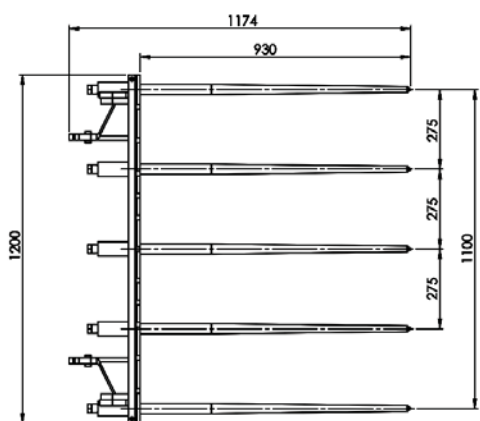
- Bale Carrier & Frame Kit with 3 Tines
- Consists of 1 Frame, 3 Tines plus nuts
- 1200 mm L x 379 mm H
- Tine length 930 mm
- Tines 275 mm apart
- Maximum Load Capacity 2,500 kg
- FEM 2 with Euro Hooks
- Tines easy to disassemble and change separately
- Also applicable for FEM2 Forks

Ref. B53895

> Bale Carrier Components

All Bale Carrier Kit components available as spare parts

- Frame: Ref. B69231
- Tine: Ref. P601101
- Bush: Ref. P600223
- Nut: Ref. P600221



TECHNICAL DETAILS

- Bale Carrier & Frame Kit with 5 Tines
- Consists of 1 Frame, 5 Tines plus nuts
- 1200 mm L x 379 mm H
- Tine length 930 mm
- Tines 275 mm apart
- Maximum Load Capacity 2,500 kg
- FEM 2 with Euro Hooks
- Tines easy to disassemble and change separately
- Also applicable for FEM2 Forks

Ref. B53896

> Bale Carrier Components

All Bale Carrier Kit components available as spare parts

- Frame: Ref. B69231
- Tine: Ref. P601101
- Bush: Ref. P600223
- Nut: Ref. P600221



TECHNICAL DETAILS

- Bale Carrier for 3 point linkage
- Three point linkage
- CAT 1 & 2
- Supplied with bolts
- Load Capacity 1000 kg
- Laterally adjusted support arms

Ref. B55259

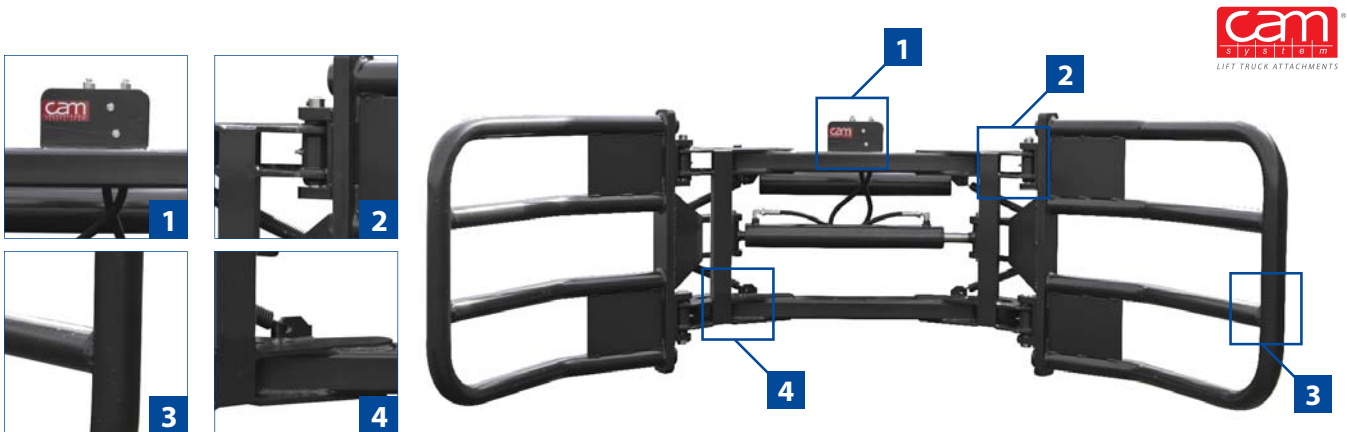
> Replacement Arm

Ref. B69232

BALE CLAMPS

An Agricultural tool for exclusive use on telehandlers.

- Powerful arm and clamping range of up to 2310mm make it the perfect tool for handling hay
- Design is light, slim, and gives the driver excellent visibility through and over the frame
- Clamp is made in Italy with high quality materials and uses a JCB or Manitou mounting



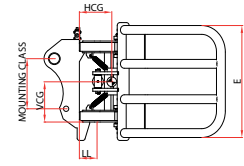
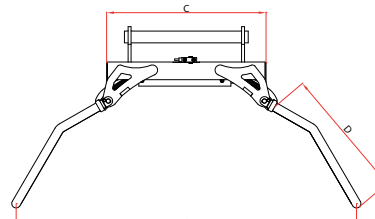
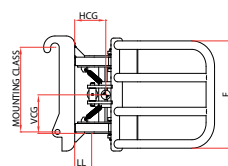
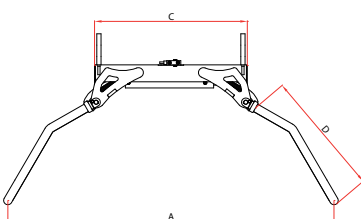
TECHNICAL DETAILS

- 1 Hydraulic circuit complete with protected overcenter valve
- 2 Hub with plastic wear bushings and grease fitting
- 3 High-performance powerful arms, reinforced with a plain steel plate. Attached by means of chromed pins and secured through an elastic plug
- 4 Steel clamp body with tubular steel pipe arms
- 5 Slim and compact structure
- 6 Reduced frame width for easier storage
- 7 Replacement Parts also available

Ref.	Capacity	A-roll range	C	D x E	LL	HCG	VCG	KG	Applications
B69613	1000/750 kg/mm	100/2310 mm	1080 mm	900x760 mm	120 mm	215 mm	270	268	JCB
B69614	1000/750 kg/mm	100/2310 mm	1080 mm	900x760 mm	120 mm	225 mm	270	256	Manitou

Ref. B69613

Ref. B69614



PALLET FORK



TECHNICAL DETAILS

- Pallet Fork Frame
- 1200 mm W x 379 mm H

Ref. B39454



TECHNICAL DETAILS

- Pallet Forks – supplied by piece
- Dimensions : Width: 100mm, Thickness: 40mm, Length: 1100mm
- Load capacity : 2500 kg for each pair forks (measured from corner fork with carriage +/-500mm)
- Class: FEM 2A (attachment type)

Ref. B52602



TECHNICAL DETAILS

- Consists of 1 Frame (1200 mm W x 379 mm H) and 2 Forks (Euro 2 connection)
- Components also available individually
- Load capacity: 2500kg

Ref. B39414

BEPKO TRACTOR ATTACHMENTS

Bepco offers a comprehensive range of mechanical attachments that have been specially developed with **CAM System** to meet the requirements of agricultural customers.

All our mechanical attachments are manufactured in Europe from high quality materials to deliver the maximum load capacity and performance needed in agricultural applications.

CAM System products are recognised across the world for their high quality standards and reliability.

To discover the full range of products available from **CAM System** for Fork Lift and Industrial applications visit www.camsystem.com

ROLL-FORWARD SKIPS



VOLUME 300 L

Ref. B43424

Width: 800 mm
Height: 764 mm
Length: 1400 mm
Weight: 75 kg
Max fork section: 230 x 95 mm
Min distance between forks: 160 mm
Capacity: 1500 kg
Without castors

Ref. B43415

With nylon castors

Ref. B43416

With rubber castors

VOLUME 600 L

Ref. B43417

Width: 855 mm
Height: 870 mm
Length: 1525 mm
Weight: 111 kg
Max fork section: 230 x 95 mm
Min distance between forks: 160 mm
Capacity: 1500 kg
Without castors

Ref. B43418

With nylon castors

Ref. B43419

With rubber castors

VOLUME 900 L

Ref. B43420

Width: 1215 mm
Height: 870 mm
Length: 1525 mm
Weight: 128 kg
Max fork section: 230 x 95 mm
Min distance between forks: 160 mm
Capacity: 1500 kg
Without castors

Ref. B43421

With nylon castors

Ref. B43422

With rubber castors

VOLUME 1100 L

Ref. B43407

Width: 1620 mm
Height: 870 mm
Length: 1490 mm
Weight: 154 kg
Max fork section: 230 x 95 mm
Min distance between forks: 160 mm
Capacity: 1500 kg
Without castors

Ref. B43423

With nylon castors

Ref. B43408

With rubber castors

VOLUME 1600 L

Ref. B43409

Width: 1190 mm
Height: 1248 mm
Length: 2110 mm
Weight: 269 kg
Max fork section: 230 x 95 mm
Min distance between forks: 510 mm
Capacity: 1500 kg
Without castors

Ref. B43410

With nylon castors

Ref. B43411

With rubber castors

VOLUME 2000 L

Ref. B43412

Width: 1410 mm
Height: 1270 mm
Length: 2150 mm
Weight: 296 kg
Max fork section: 230 x 95 mm
Min distance between forks: 510 mm
Capacity: 1500 kg
Without castors

Ref. B43413

With nylon castors

Ref. B43414

With rubber castors

ROLL-FORWARD SKIPS: STAINLESS STEEL



VOLUME 600 L

Ref. B43429

Width: 855 mm
Height: 870 mm
Length: 1525 mm
Weight: 111 kg
Max fork section: 230 x 95 mm
Min distance between forks: 160 mm
Capacity: 1500 kg
Without castors

Ref. B43425

With nylon castors

Ref. B43426

With rubber castors

VOLUME 900 L

Ref. B43430

Width: 1215 mm
Height: 870 mm
Length: 1525 mm
Weight: 128 kg
Max fork section: 230 x 95 mm
Min distance between forks: 160 mm
Capacity: 1500 kg
Without castors

Ref. B43427

With nylon castors

Ref. B43428

With rubber castors



BOTTOM EMPTYING SKIPS



VOLUME 750 L

Ref. B41858

Width: 1500 mm
Height: 600 mm
Length: 875 mm
Weight: 230 kg
Max fork section: 160 x 70 mm
Min distance between forks: 630 mm
Capacity: 1730 kg

VOLUME 1000 L

Ref. B41859

Width: 1500 mm
Height: 750 mm
Length: 875 mm
Weight: 250 kg
Max fork section: 160 x 70 mm
Min distance between forks: 630 mm
Capacity: 1750 kg

VOLUME 1300 L

Ref. B41860

Width: 1500 mm
Height: 1000 mm
Length: 875 mm
Weight: 280 kg
Max fork section: 160 x 70 mm
Min distance between forks: 630 mm
Capacity: 1780 kg

TRACTOR GENERATORS - PTO Driven

> *Our Tractor generators are designed and engineered to provide instant emergency power in the event of power failure.*

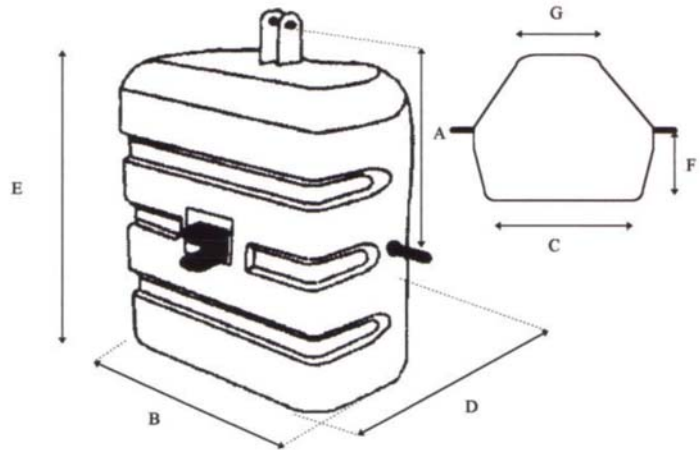


TECHNICAL DETAILS

- Protective tubular chassis
- Control panel IP44
- Leakage protection
- Frequency meter
- Voltmeter

Reference	Three phase power COP kVA	Single Phase power COP kVA	Volt	Tractor power kW/HP	Length (mm)	Width (mm)	Height (mm)	Sockets	Weight
B47269	16	8	400/230	29/40	746	580	958	1x SCHIKO 230Vv 16A IP54 1x 2P+T CEE 230V 32A IP44 1x 3P+N+T CEE 400V 63A	120
B41676	20	10	400/230	37/50	958	645	1003	1x SCHIKO 230Vv 16A IP54 1x 2P+T CEE 230V 32A IP44 1x 3P+N+T CEE 400V 63A	148
B40404	25	12	400/230	44/60	958	645	1003	1x SCHIKO 230Vv 16A IP54 1x 2P+T CEE 230V 32A IP44 1x 3P+N+T CEE 400V 63A	154
B40405	27	11	400/230	48/65	958	645	1003	1x SCHIKO 230Vv 16A IP54 1x 2P+T CEE 230V 32A IP44 1x 3P+N+T CEE 400V 63A	201
B40406	30	12	400/230	51/70	958	645	1003	1x SCHIKO 230Vv 16A IP54 1x 2P+T CEE 230V 32A IP44 1x 3P+N+T CEE 400V 63A	213
B40407	42	14.7	400/230	74/100	1110	720	1322	1x SCHIKO 230Vv 16A IP54 1x 2P+T CEE 230V 32A IP44 1x 3P+N+T CEE 400V 63A	355
B47278	48	16.7	400/230	88/120	1110	720	1322	1x SCHIKO 230Vv 16A IP54 1x 2P+T CEE 230V 32A IP44 1x 3P+N+T CEE 400V 63A	360

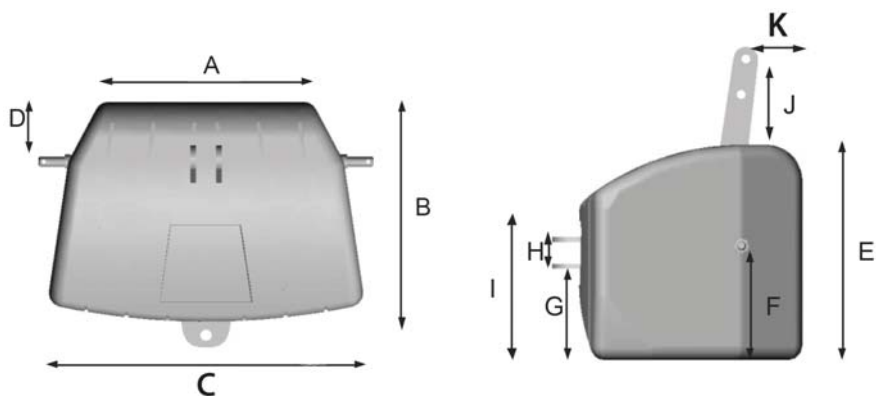
TRACTOR FRONT WEIGHTS



TECHNICAL DETAILS

- Made from Concrete - Old generation

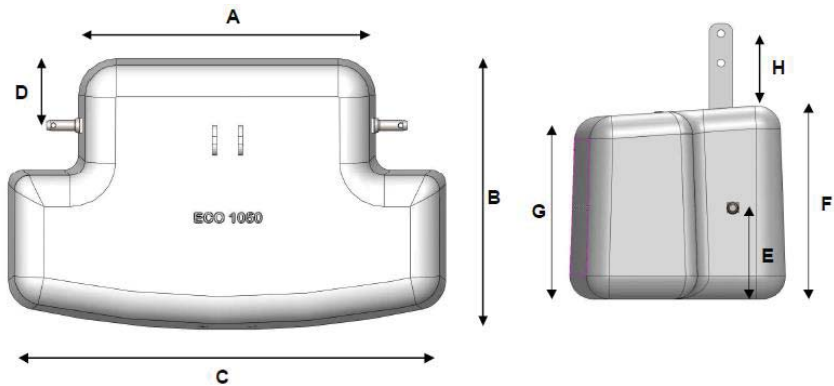
Reference	Description	A (mm)	B (mm)	C (mm)	D (mm)	E (mm)	F (mm)	G (mm)
B47291	400 KG	380	770	710	480	580	220	270



TECHNICAL DETAILS

- Made from Steel-Concrete - New generation

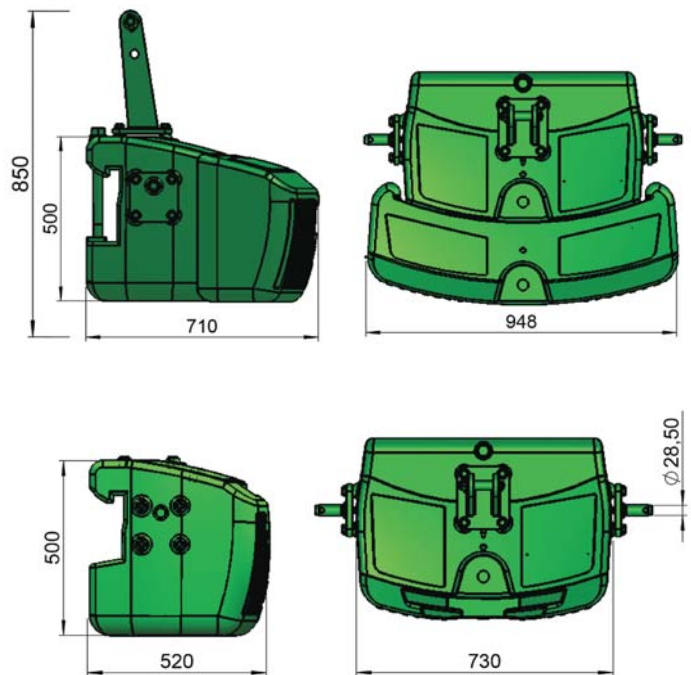
Ref.	Description	A (mm)	B (mm)	C (mm)	D (mm)	E (mm)	F (mm)	G (mm)	H (mm)	I (mm)	J (mm)	K (mm)
B47292	400 KG	600	530	880	100	470	270	200	90	360	245	130



TECHNICAL DETAILS

- Pateer ECO Type Weight - made from Concrete

Reference	Description	A (mm)	B (mm)	C (mm)	D (mm)	E (mm)	F (mm)	G (mm)	H (mm)
68/7721-1	750 kg	800	600	1150	150	300	615	580	275
68/7721-2	1050 kg	800	735	1180	160	310	655	610	245
68/7721-3	1450 kg	800	825	1440	160	320	695	645	215



TECHNICAL DETAILS

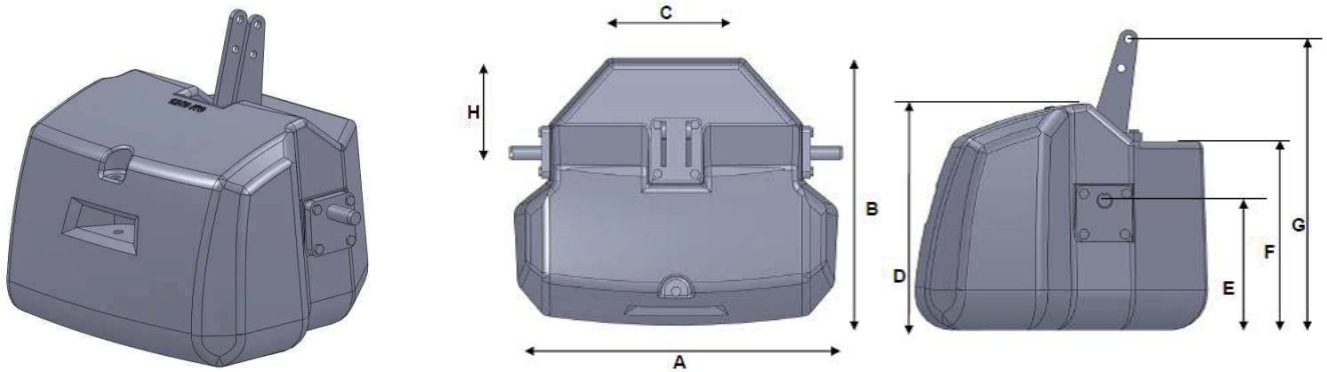
- Made from cast steel
- High quality surface finish
- Supplied in John Deere green as standard

Modular Front Weight - John Deere / 1000 kg

Ref. B39038

Add On Front Weight - John Deere / 500 kg

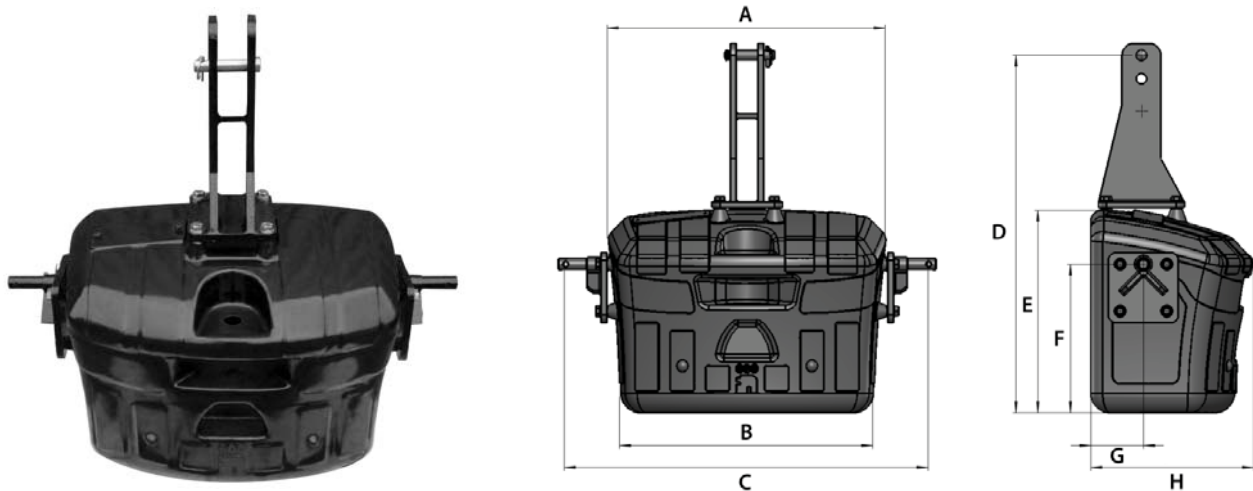
Ref. B39039



TECHNICAL DETAILS

- FP-PAC Front Weight
- Made from scrap steel and heavy mineral
- Highly polished finish

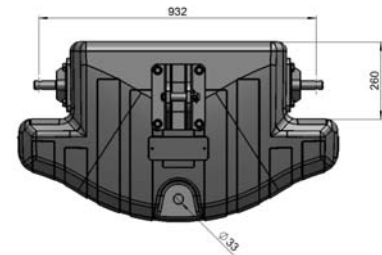
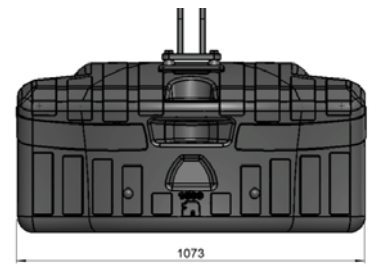
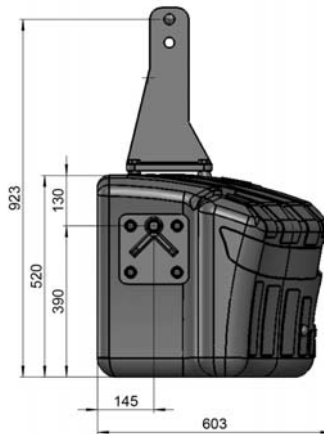
Reference	Description	A (mm)	B (mm)	C (mm)	D (mm)	E (mm)	F (mm)	G (mm)	H (mm)
B52603	600 kg	760	490	380	500	330	500	860	220
B52604	800 kg	760	640	430	500	300	500	780	220
B52605	1000 kg	890	785	380	600	345	510	780	265
B52606	1800 kg	1200	900	380	695	345	620	960	285



TECHNICAL DETAILS

- Cast Steel MUFO 2 Front Weights

Reference	Description	A (mm)	B (mm)	C (mm)	D (mm)	E (mm)	F (mm)	G (mm)	H (mm)
B55808	600 kg	752	688	932	915	518	380	135	417
B55809	800 kg	752	688	932	915	518	380	135	417
B55810	1000 kg	752	688	932	920	520	390	145	502



TECHNICAL DETAILS

- Made from Cast Steel - MUFO 2

Front Weight - 1250 kg

Ref. B55811

Front Weight - 1500 kg

Ref. B55812



TECHNICAL DETAILS

- Deutz 40 KG weight

Ref. 21/20811-1



TECHNICAL DETAILS

- Deutz 43 KG weight

Ref. 21/20811-3



TECHNICAL DETAILS

- Wheel Weight 80 kg - 660 x 330 x 50 mm

Ref. B48244



TECHNICAL DETAILS

- Tow Hook for Front Weight

Ref. B47433

**BEPKO PARTS SA**

Rue Chaumont, 4D • 4480 Hermalle-sous-Huy • Belgique
 T +32 85 24 54 00 • F +32 85 24 54 50
 info.be@bepcoparts.com • www.bepcoparts.com

**BEPKO UK LTD**

Bepco House • Unit 316 • Hartlebury Trading Estate
 Hartlebury - Worcestershire, DY10 4JB (UK)
 P +44 (0)1299 252270 • F 0800 216553
 info@bepcoparts.com • www.bepcoparts.com

**BEPKO FRANCE SAS**

Z.I. La Plaine, Allée de Bigorre
 BP80041 Le Passage • 47901 Agen Cedex 9 • France
 T +33 (0)553 96 31 25 • F +33 (0)553 68 03 72
 info.fr@bepcoparts.com • www.bepcoparts.com

**BEPKO DEUTSCHLAND GmbH**

Neuer Weg 5 • 59505 Bad Sassendorf • Germany
 T +49 (0)2927 919 59 0 • F +49 (0)2927 919 59 59
 info.de@bepcoparts.com • www.bepcoparts.com

**BEPKO NEDERLAND BV**

Den Dolvert 10 • 5473 GP, Heeswijk-Dinther • Nederland
 T +31 (0)413 29 39 75 • F +31 (0)413 29 40 87
 info.nl@bepcoparts.com • www.bepcoparts.com

**TVH AUSTRALASIA PTY LTD**

HEAD OFFICE BRISBANE • www.bepcoparts.com

ADELAIDE

96 South Terrace • Wingfield SA 5013
 Free 1800 182 344 • T +61 8 8359 8933 • F +61 8 8234 2212
 BepcoSAsales@tvh.com.au

BRISBANE

735 Boundary Road • Richlands QLD 4077
 Free 1800 020 082 • T +61 7 3344 1113 • F +61 7 3344 1332
 BepcoQLDsales@tvh.com.au

MELBOURNE

7/66-74 Micro Circuit • Dandenong South VIC 3175
 Free 1800 802 367 • T +61 3 9796 5422 • F +61 3 9796 5251
 BepcoVICsales@tvh.com.au

PERTH

2/15 Colin Jamieson Drive • Welshpool WA 6106
 Free 1800 182 344 • T +61 8 8352 8984 • F +61 8 8234 2212
 BepcoWAsales@tvh.com.au

SYDNEY

1/1002-1010 Canley Vale Rd • Wetherill Park NSW 2164
 Free 1800 808 827 • T +61 2 6885 5288 • F +61 3 9796 5251
 BepcoNSWsales@tvh.com.au

**TVH NEW ZEALAND LTD****AUCKLAND**

PO Box 51490 • Pakuranga 2140 • 11K Echelon Place
 East Tamaki • Auckland
 Free 0800 459 662 • T +64 9 274 9695 • F +64 9 274 9698
 info@tvh.co.nz • www.tvh.com

CHRISTCHURCH

11C Parkhouse Road
 Wigram • Christchurch 8042
 Free 0508 8 722 867 • T +64 3 550 1298 • F +64 3 974 9993
 infochch@tvh.co.nz

**BEPKO IBÉRICA SA**

Pol. Ind. Les Guixeres, C/ Xarol, 7
 08915 Badalona (Barcelona) • Spain
 T +34 (0)902 111 062 - 933 810 062 • F +34 (0)933 813 345
 info.es@bepcoparts.com • www.bepcoparts.com

ALMENDRALEJO

Ctra. Badajoz - Pol. «Rayvaz» Nave 21
 06200 Almendralejo (Badajoz)
 T +34 (0)902 111 062 - 924 664 890
 F +34 (0)924 664 576

DOS HERMANAS

Pol. Ind. La Isla, C/ Hornos, 11
 41703 Dos Hermanas (Sevilla)
 T +34 (0)902 111 062 - 954 931 546
 F +34 (0)954 930 130

SANTIAGO DE COMPOSTELA

Pol. El Tambre, Via Faraday, 36
 15890 Santiago de Compostela
 T +34 (0)902 111 062 - 981 560 012
 F +34 (0)981 557 753

**TVH PARTS SOUTH AFRICA (Pty) Ltd**

HEAD OFFICE JOHANNESBURG • www.tvh.com

CAPE TOWN

1 Karee Street • Kraaifontein Industries • Cape Town 7571
 T +27 21 988 2432 • F +27 21 988 9127
 capetownsales@tvh.com

DURBAN

2 Monaco Place • Westmead • Pinetown 3600
 T +27 31 100 0760 • F +27 31 700 6191
 durbansales@tvh.com

JOHANNESBURG

90 Electron Avenue • Isando • Kempton Park 1601
 T +27 11 281 27 00 • F +011 974 9845
 johannesburgsales@tvh.com

LICHTENBURG

Shop 1 • 109 Scholtz Street • Lichtenburg 2740
 T +27 18 632 6192/6092 • F +27 18 632 6108
 lichtenburgsales@tvh.com

PORT ELIZABETH

134 Kempston Road • Korsten • Port Elizabeth 6020
 T +27 41 453 1404/8 • F +27 41 453 1409
 portelizabethsales@tvh.com

FOR ALL OUR LATEST CATALOGUE UPDATES AND COMPANY INFO: WWW.BEPCOPARTS.COM



The spare parts mentioned in this list can normally be delivered from stock. In addition, we can supply parts, which are not mentioned in this catalogue, with the shortest possible delivery time. The O.E.M. references are only for indication purposes and do not imply that the spare parts are coming from the manufacturer. This spare parts list can be modified without prior notice. All photographs, drawings, illustrations, brand names, descriptions and numbers are included for identification purposes only.



De onderdelen vermeld in deze lijst, zijn normaal uit voorraad leverbaar, behoudens uitverkocht. Ook niet-vermelde onderdelen kunnen binnen de kortste tijd uitgeleverd worden. De O.E.M. referenties dienen enkel ter indicatie en impliceren niet dat deze van de vermelde constructeur afkomstig zijn. Deze onderdelenlijst kan zonder enige voorafgaande verwittiging aangepast worden. Alle gebruikte foto's, tekeningen, afbeeldingen, merknamen, omschrijvingen en nummers dienen alleen ter identificatie.



Les pièces de rechange, mentionnées dans cette liste, sont normalement livrables du stock. En plus, les articles non indiqués peuvent être fournis en peu de temps. Cette liste peut être modifiée sans avis préalable. Les références O.E.M. sont seulement indicatives et n'impliquent pas que les pièces de rechange viennent du constructeur. Toutes les photographies, illustrations, marques, descriptions, tous les plans et numéros servent exclusivement à une identification.



Die in dieser Liste aufgeführten Teile sind normalerweise aus dem Lager lieferbar. Wir sind zudem in der Lage nicht aufgeführte Teile innerhalb kürzester Zeit zu liefern. Die O.E.M. Referenznummern dienen zur Information und beinhalten nicht, dass diese vom genannten Hersteller kommen. Diese Bestandsliste kann ohne vorhergehende Ankündigung geändert werden. Alle verwendeten Foto's, Zeichnungen, Abbildungen, Markennamen, Beschreibungen und Nummern dienen nur zu Identifikationszwecken.



Los artículos mencionados en este catálogo se encuentran habitualmente en stock. Además, podemos suministrar en un plazo corto de tiempo otros artículos relacionados que no se encuentren expresamente mencionados en este catálogo. Las referencias O.E.M. sirven sólo como indicación y no implican que procedan del constructor. Este listado de productos puede estar sujeto a modificaciones sin aviso previo. Todas las fotos, dibujos, ilustraciones, nombres de marca, descripciones y números se han incluido simplemente con el propósito de su identificación.



I pezzi di ricambio, menzionati in questo listino, possono essere forniti con una consegna immediata a condizione che non siano esauriti. I pezzi di ricambio non menzionati possono essere forniti in poco tempo. Le referenze O.E.M. sono solamente indicative e non implicano che i pezzi di ricambio vengano da questo costruttore. Questa lista ricambi può essere aggiornata senza avvisi anticipati. Tutti i numeri, codici, nomi, foto, spaccati e disegni sono solo a titolo informativo.



Części z tego katalogu są zazwyczaj na stanie magazynowym. Również części które nie są wyszczególnione w katalogu mogą być dostarczone na zamówienie w najkrótszym możliwym terminie. Opis części O.E.M. jest używany informacyjnie i nie wskazuje na to, że dany produkt jest wyprodukowany przez podanego producenta. Zawartość katalogu może ulec zmianie bez wcześniejszego informowania o tym. Wszystkie użyte zdjęcia, rysunki, nazwy marek, opis i numery służą tylko do identyfikacji.



Запчасти из настоящего списка, как правило, имеются в запасе, если только он не распродан. Прочие, не фигурирующие в списке артикулы, могут быть поставлены в самые кратчайшие сроки. Указание оригинальных номеров производителя не предполагает обязательного оригинального происхождения самих деталей. Данный список может изменяться без предварительного уведомления. Все использованные фото, рисунки, иллюстрации, названия брендов, наименования и номера служат исключительно для цели идентификации.



Visit us on the Internet:
www.bepcoparts.com

© **bepco** 2016

All rights reserved. No part of this catalogue may be reproduced or communicated in any form or by any means, electronic or mechanical, including copying, recording or use in an information storage or retrieval system, without prior and explicit permission of BEPCO PARTS.

- BEPCO is a supplier of after-market spare parts and accessories that are suitable for the maintenance and repair of OEM-equipment. OEM references and brands are purely indicative and do not imply that the accessories and/or spare parts are coming from the original equipment or parts manufacturer.
- Products that do not comply with regulatory requirements concerning CE conformity are not placed on the market in the European Economic Area.
- BEPCO® are registered trademarks.
- All sales are subject to the general terms & conditions of sale on www.bepcoparts.com
- Photographs and illustrations are included for reference purposes only. Printing errors reserved.

Spare parts ■
from A-Z for
all brands

Hydraulics
Tractor Parts
Engine Parts
Tractor Attachments

Air Conditioning
Workshop
Consumables & Accessories
Wearing Parts

moving forward in every field

Ref. B69302



BEPCO GROUP

Rue Chaumont 4D • 4480 Hermalle-sous-Huy • Belgium
P +32 85 24 54 00 • F +32 85 24 54 50 • info.be@bepcoparts.com • www.bepcoparts.com

Member of **TVH** 